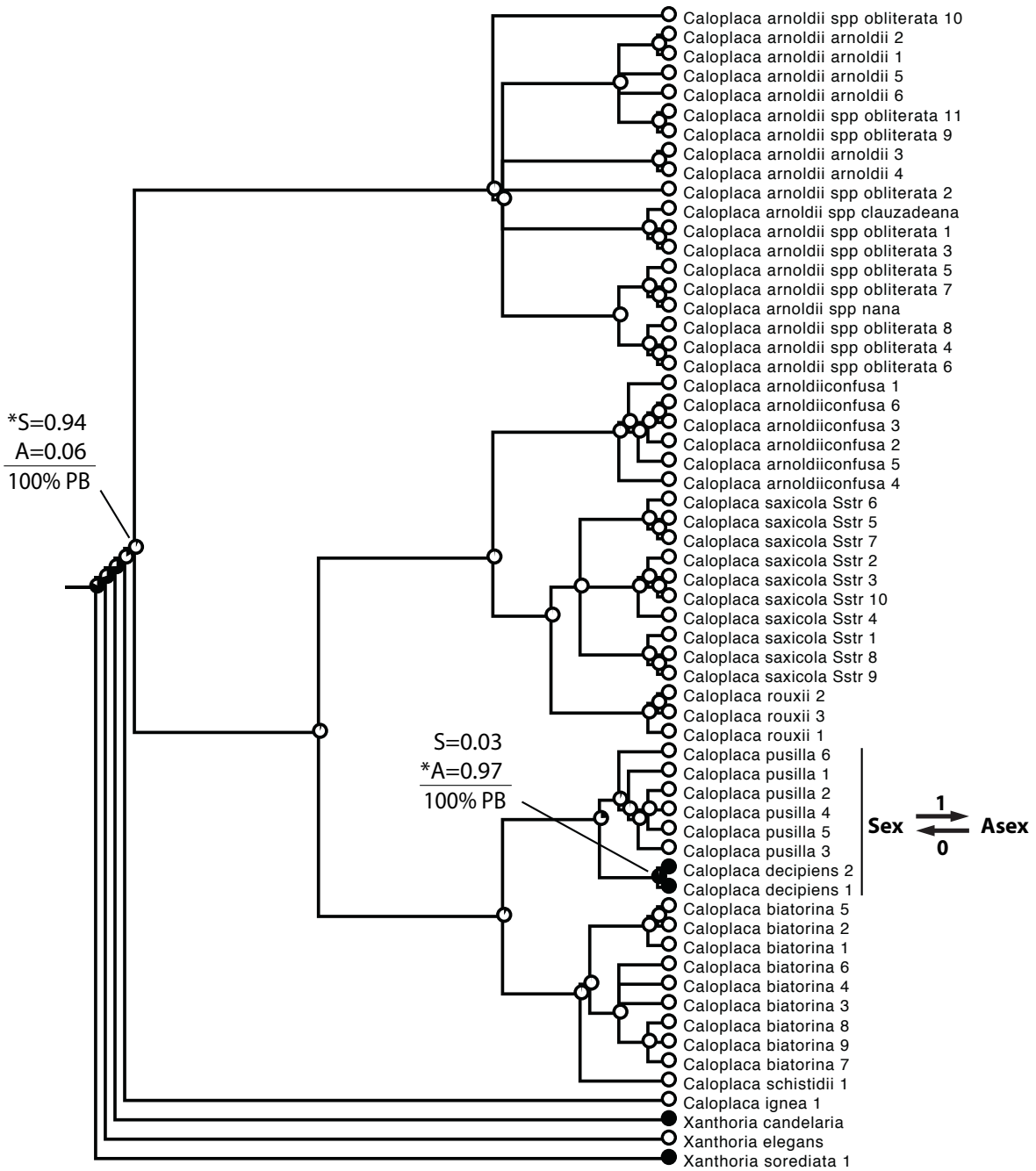
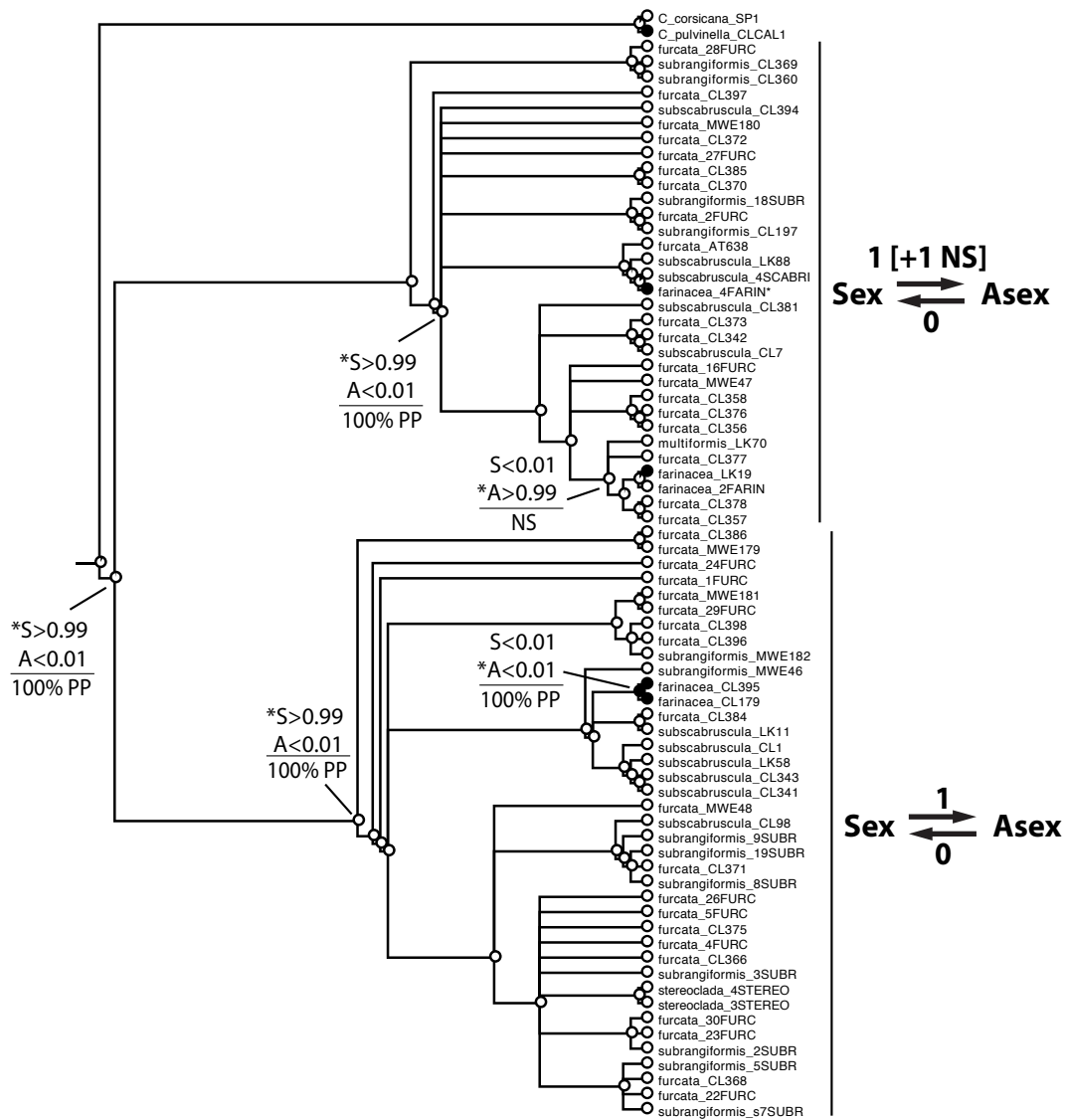
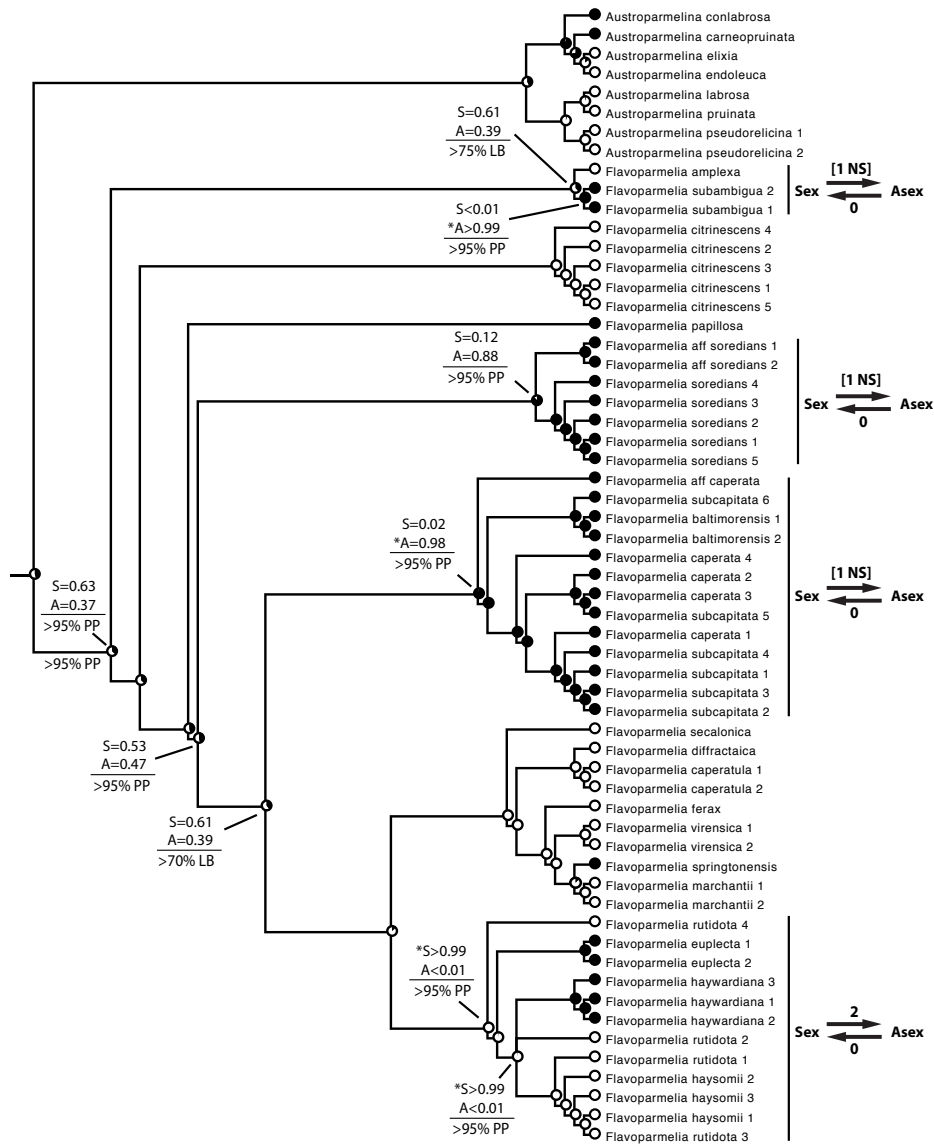


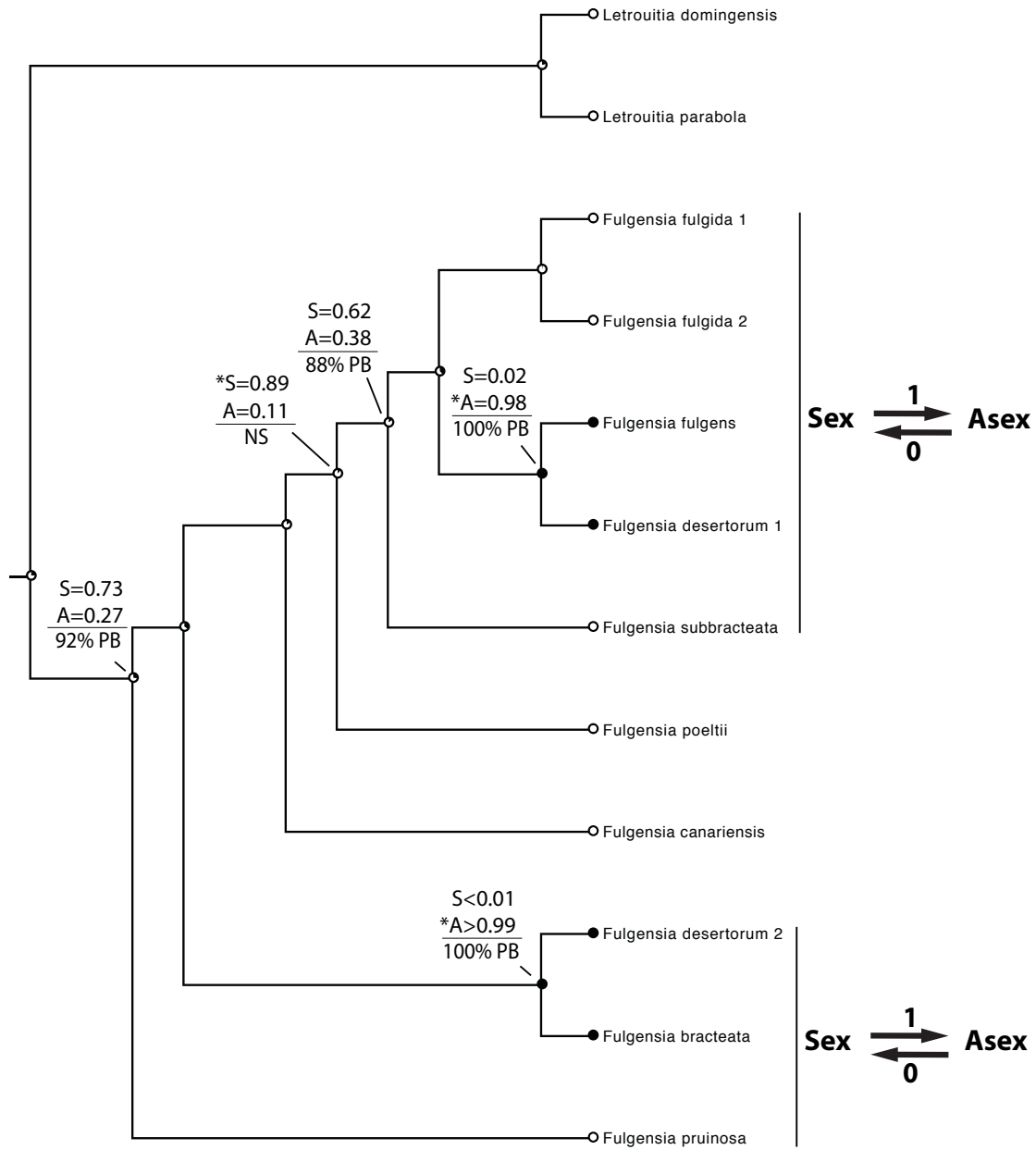
SUPPLEMENTAL FIGURES

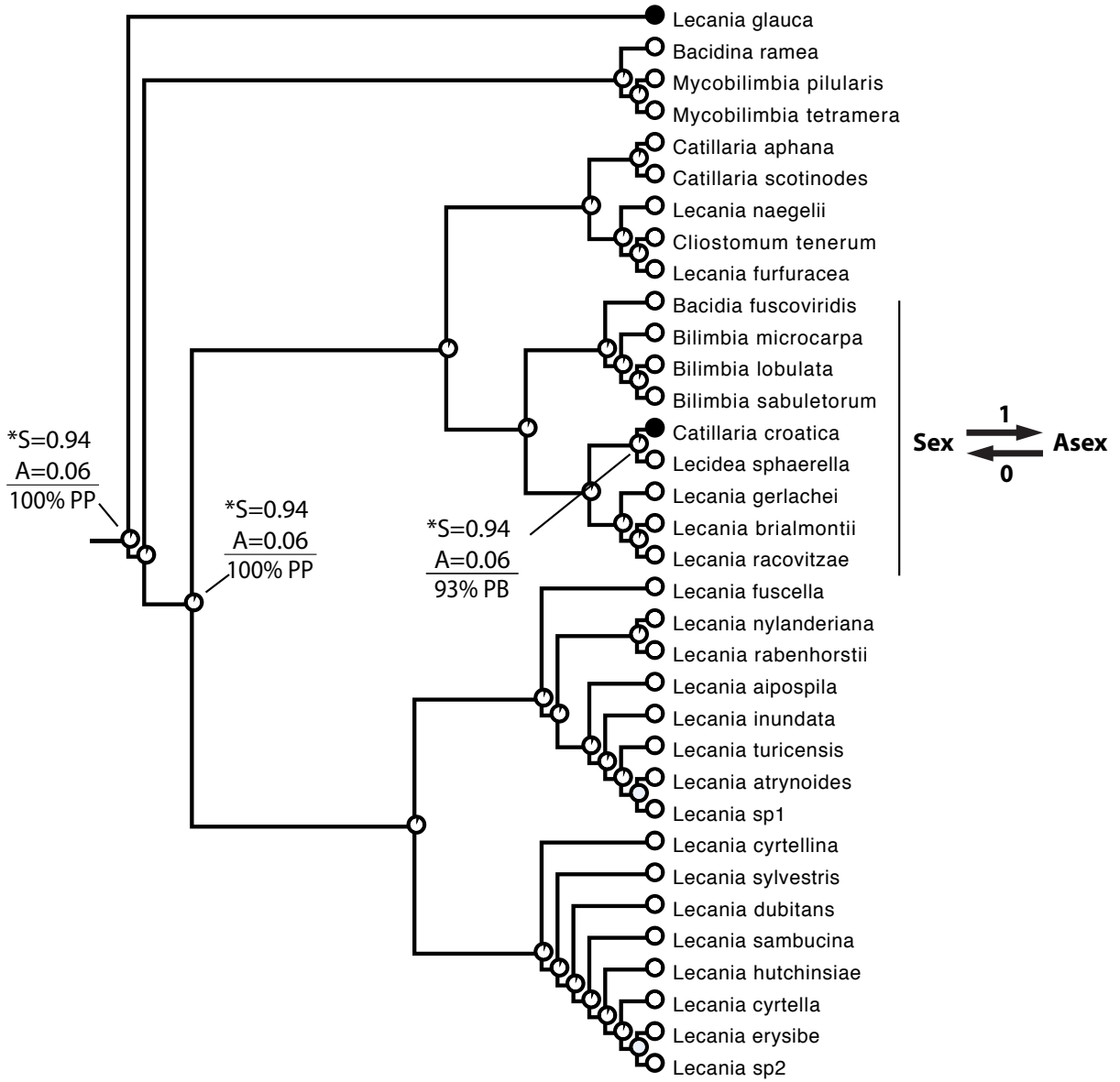
Supp. Figure 1 - 19. Additional ancestral state reconstructions of reproductive mode for Tier 1 (*Caloplaca saxicola* group, *Cladonia furcata* group, *Flavoparmelia*, *Fulgensia*, *Lecania*, *Lecanora varia* group, *Letharia*, *Lobariella*, *Melanohalea*, *Montanelia*, *Parmotrema perforatum* group, *Protoparmelia*, *Xanthomendoza*) and Tier 2 (*Austroparmelina*, *Bulbothrix*, *Fuscopannaria*, *Pannaria*, *Parmelina*) analyses. Reconstructions for *Biatora*, *Dirina*, *Punctelia* (Tier 1) and *Hypogymnia* (Tier 2) provided in main text. Proportional likelihoods of reconstructed state shown in circles on nodes. White = sexual and black = asexual. Circles filled with gray patterning = ambiguous reconstruction owing to missing data. Nodes pertinent to transitions are labeled with the following: above horizontal lines are relative proportional likelihoods for sexual ("S") or asexual ("A") states, and an asterisk indicates reconstruction was significant for that state; below horizontal lines are support values (PP = Posterior Probability, LB = Likelihood Bootstrap, PB = Parsimony Bootstrap, NS = Non-significant [i.e., < 95% PP or < 70% LB or PB]). Numbers of inferred transitions and directionality of transitions given to the right of taxon labels. NS indicates that the reconstruction was non-significant, i.e., that it did not meet both criteria for significance as described under Materials & Methods.

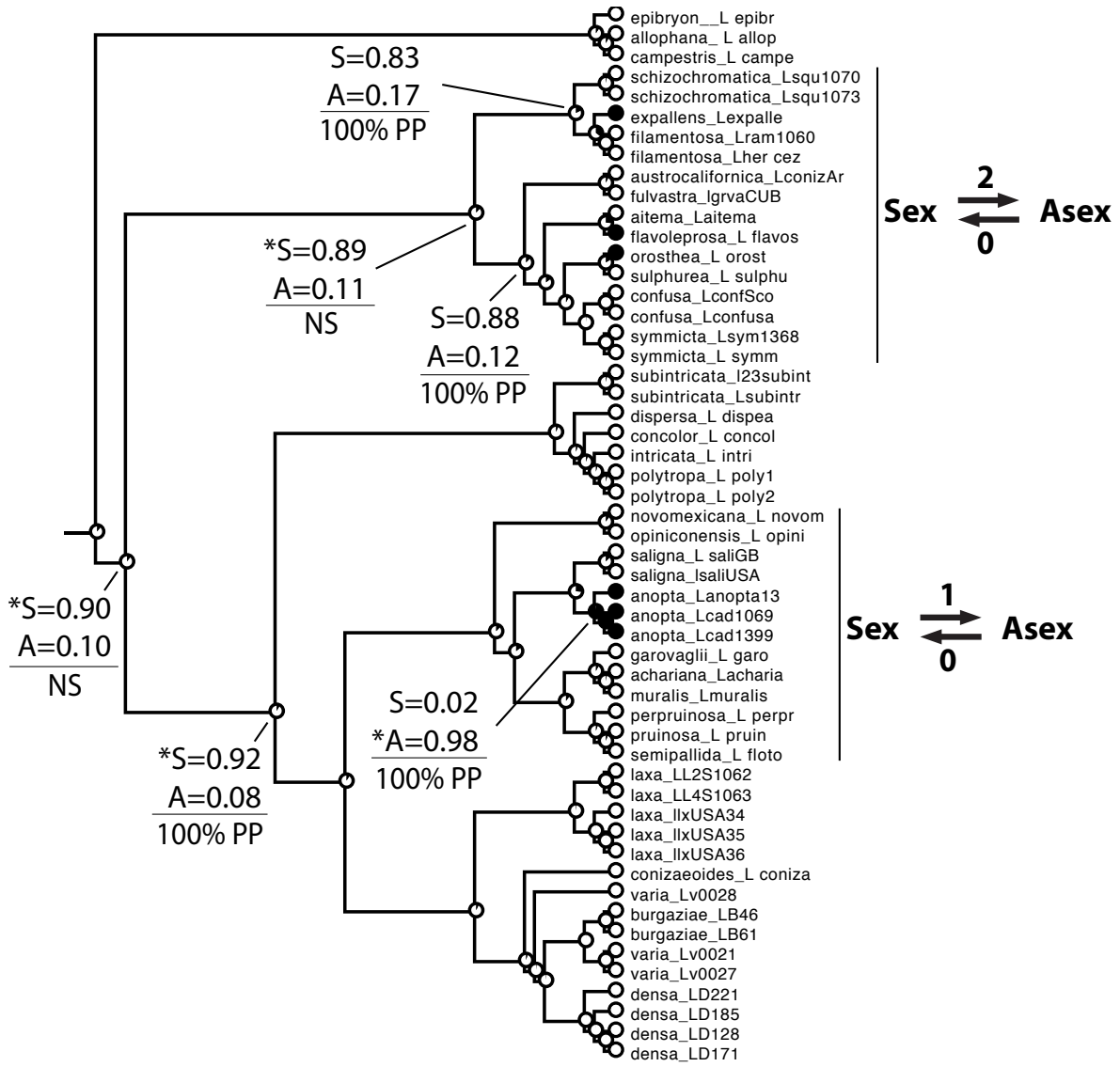


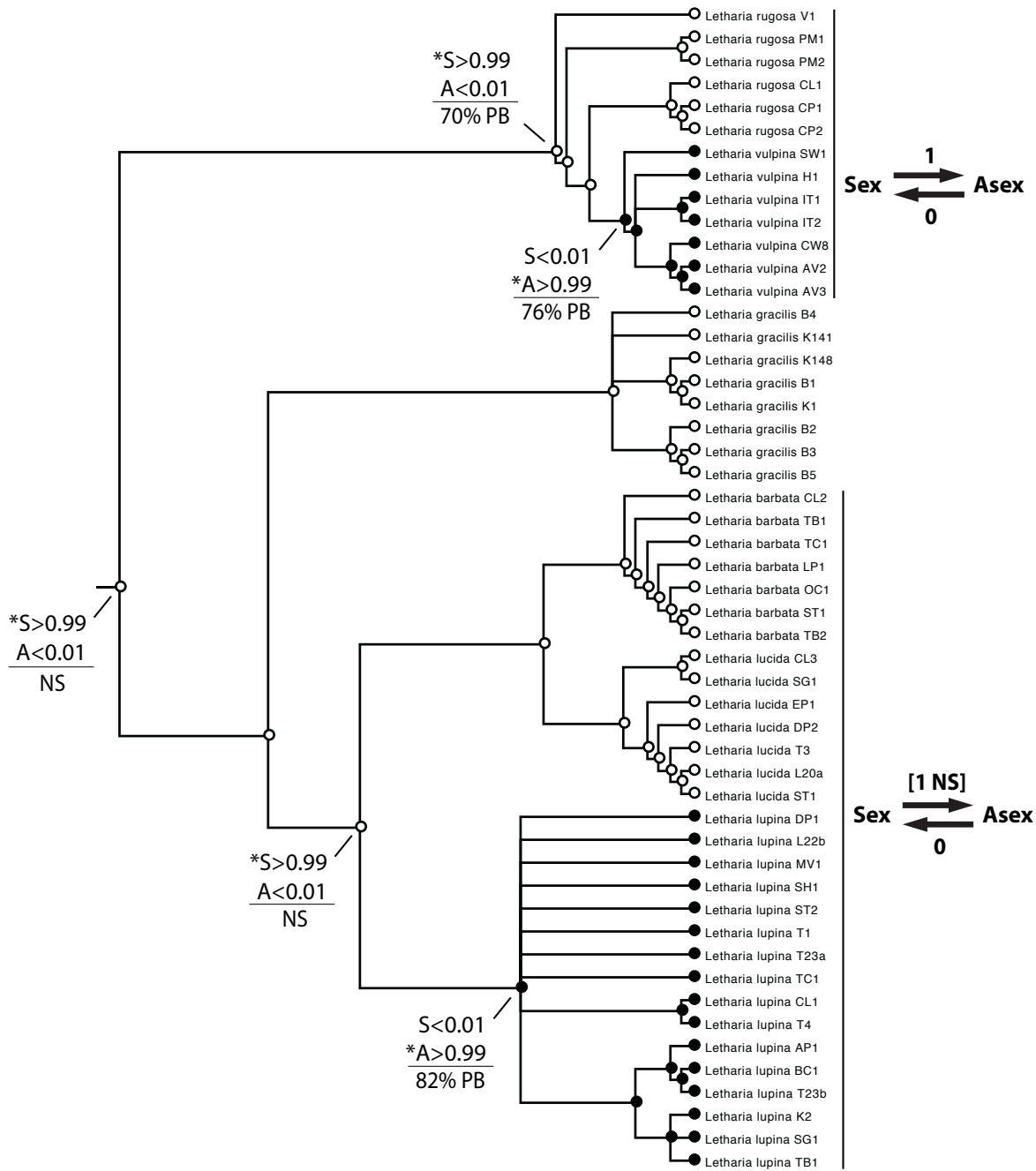


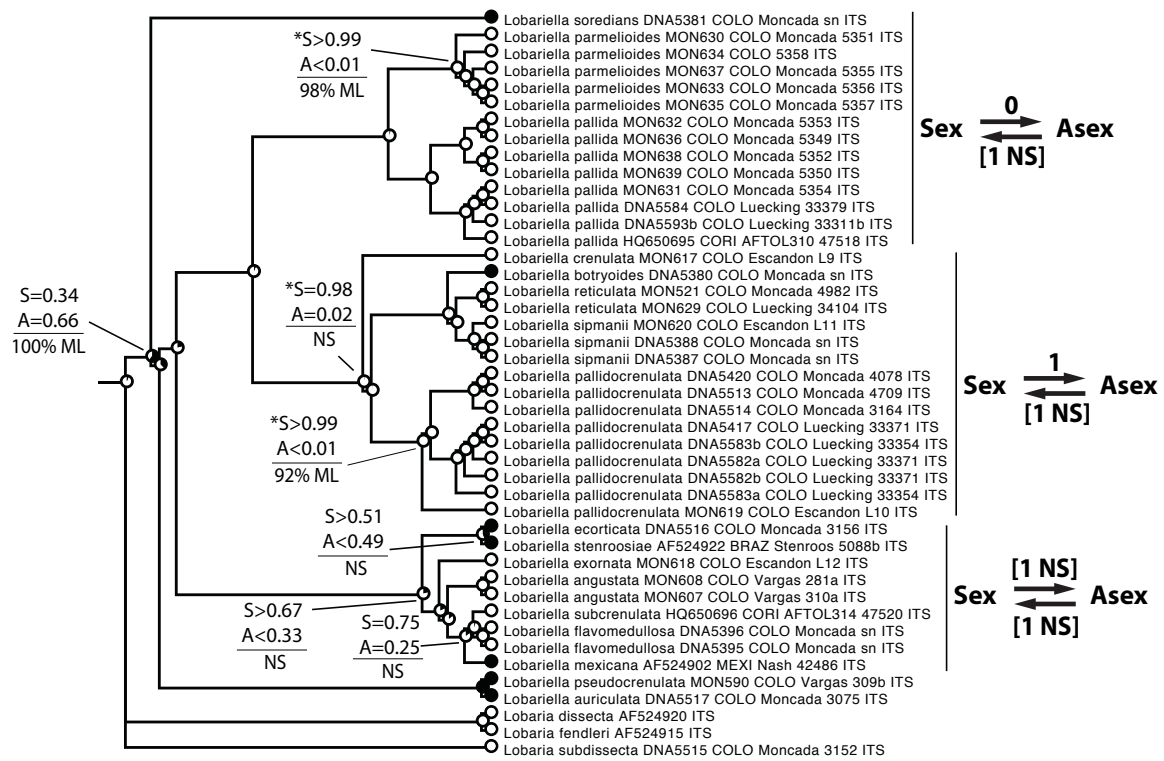


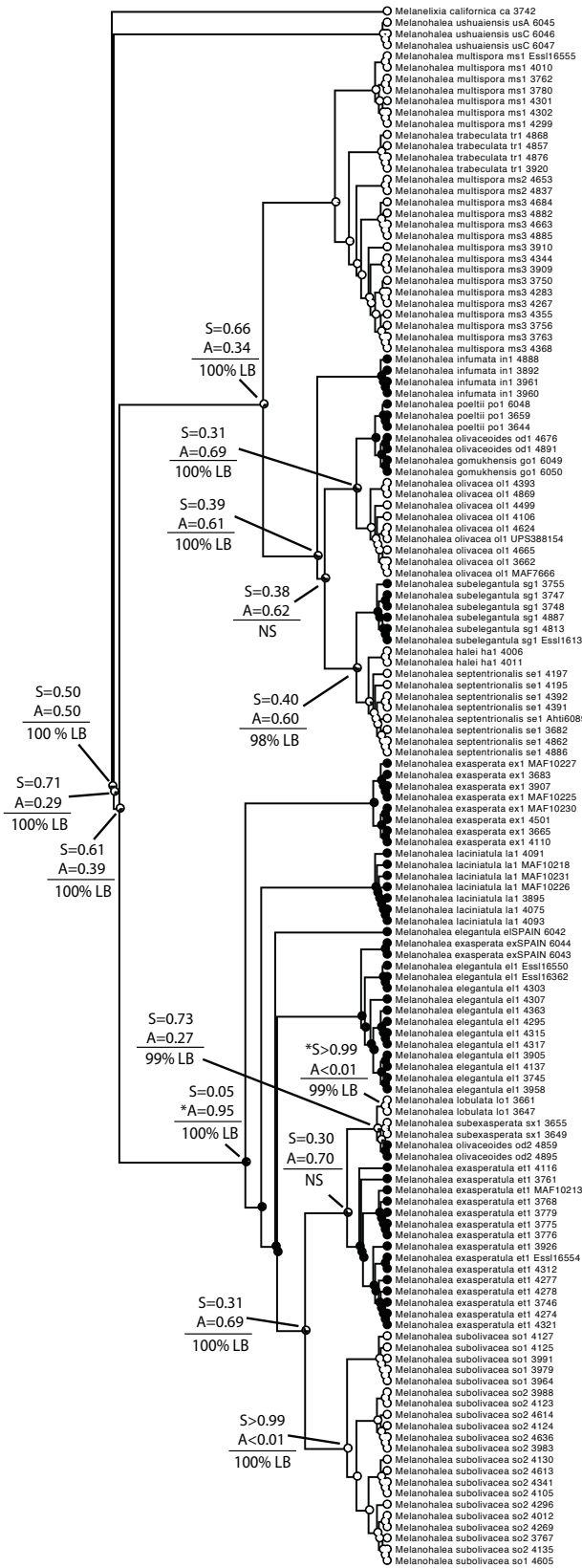










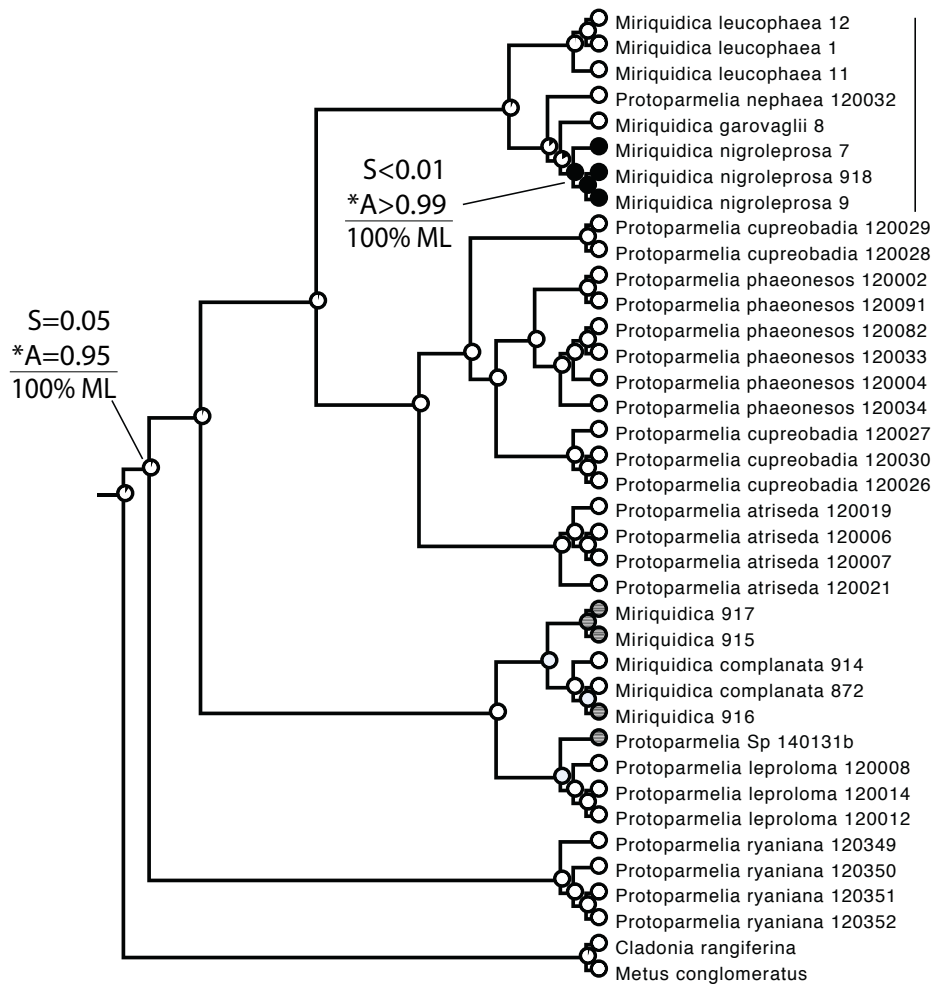


Sex $\xrightarrow{[1 \text{ NS}]}$ Asex

Sex $\xleftarrow{[2 \text{ NS}]}$ Asex

Sex $\xrightarrow{[1 \text{ NS}]}$ Asex

Sex $\xleftarrow{2}$ Asex



Sex $\xrightleftharpoons[0]{1}$ Asex

