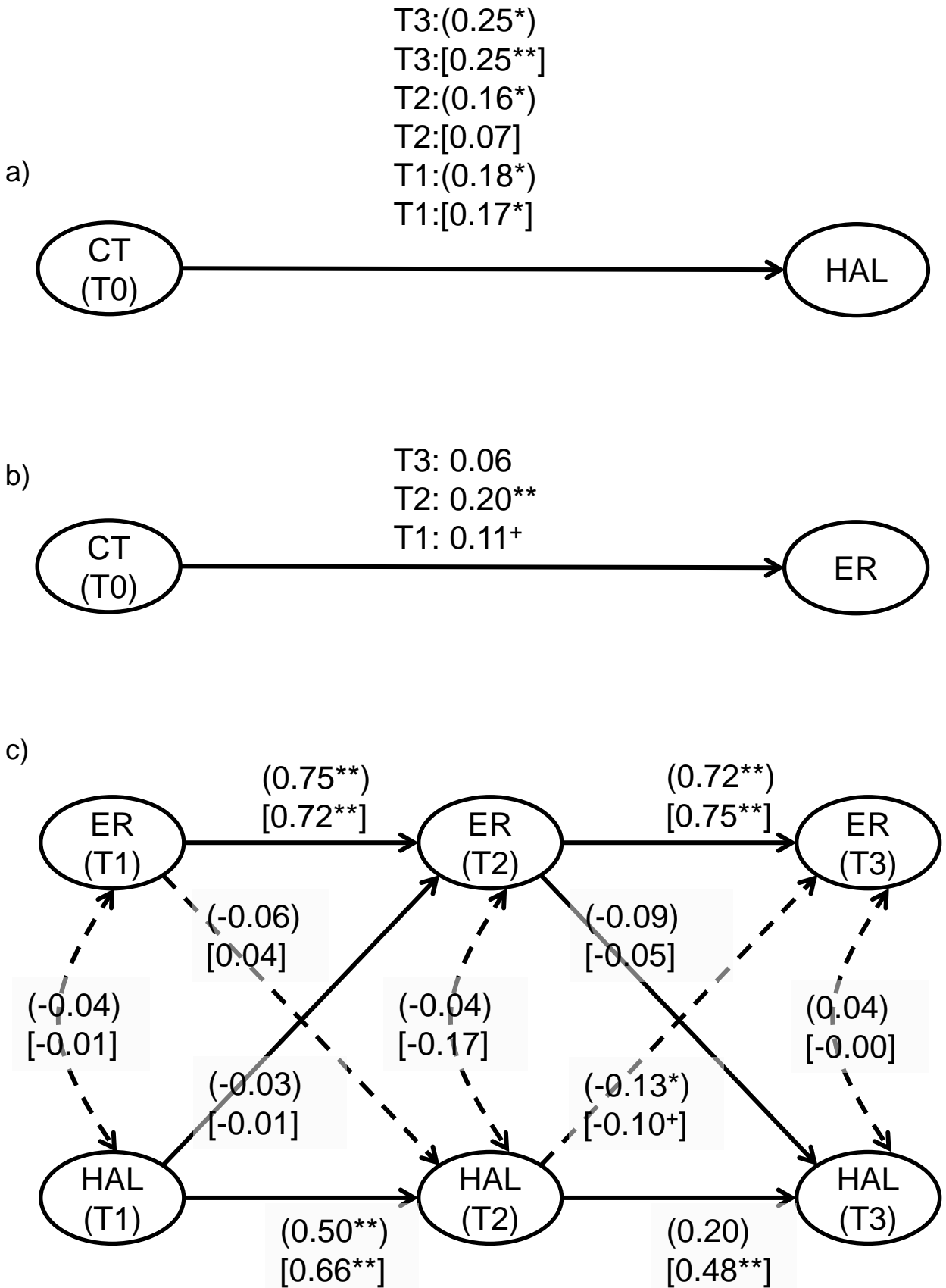


Figure 2. Prospective associations of childhood trauma, emotional regulation, and hallucination



Note. (distress); [frequencies]; Path coefficients are completely standardized; + $p < .10$, * $p < .05$, ** $p < .001$; Dotted lines indicate insignificant paths; CT = Childhood Trauma; ER = Emotion Regulation; HAL= Hallucination; T0 = baseline; T1 = month 4, T2 = month 8, T3 = month 12.